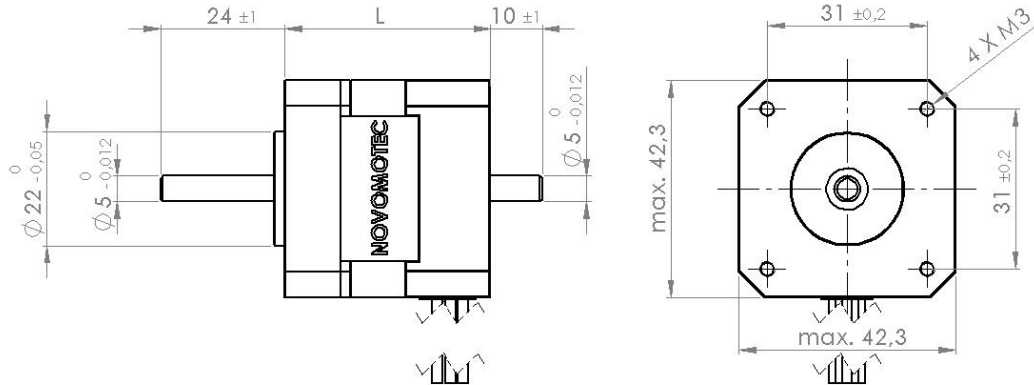
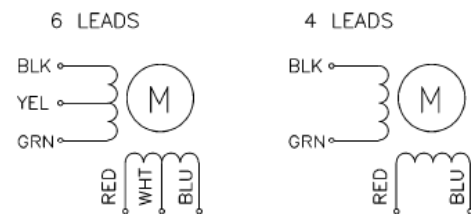


## Schrittmotor NOV42STH – 1,8°



Item	Specifications
Step Angle	1,8°
Step Angle Accuracy	+/- 5% (full step, no load)
Resistance Accuracy	+/- 10%
Temperature Rise	+/- 20%
Ambient Temperature	max. 80°C (rated current, 2 phase on)
Insulation Resistance	-20°C - +50°C
Dielectric Strenght	min. 100MΩ, 500VDC
Shaft Radial Play	max. 0,02mm
Shaft Axial Play	max. 0,08mm
Max. Radial Force	28 N (20mm from the flange)
Max. Axial Force	10 N
Rotation	CW

### Wiring Diagramm:



Model.No		Rated Voltage	Current/Phase	Resistance/Phase	Inductance/Phase	Holding Torque	# of Leads	Weight	Lenght L
Single Shaft	Double Shaft	V	A	Ω	mH	mNm		g	mm
33-0956.A	33-0956.B	4	0,95	4,2	2,5	158	6	220	34
33-0406.A	33-0406.B	9,6	0,4	24	15	158	6	220	34
33-0316.A	33-0316.B	12	0,31	38,5	21	158	6	220	34
33-1334.A	33-1334.B	2,8	1,33	2,1	2,5	220	4	220	34
38-1206.A	38-1206.B	4	1,2	3,3	3,2	259	6	280	40
38-0806.A	38-0806.B	6	0,8	7,5	6,7	259	6	280	40
38-0406.A	38-0406.B	12	0,4	30	30	259	6	280	40
38-1684.A	38-1684.B	2,8	1,68	1,65	3,2	360	4	280	40
47-1206.A	47-1206.B	4	1,2	3,3	2,8	317	6	350	48
47-0806.A	47-0806.B	6	0,8	7,5	6,3	317	6	350	48
47-0406.A	47-0406.B	12	0,4	30	25	317	6	350	48
47-1684.A	47-1684.B	2,8	1,68	1,65	2,8	440	4	350	48

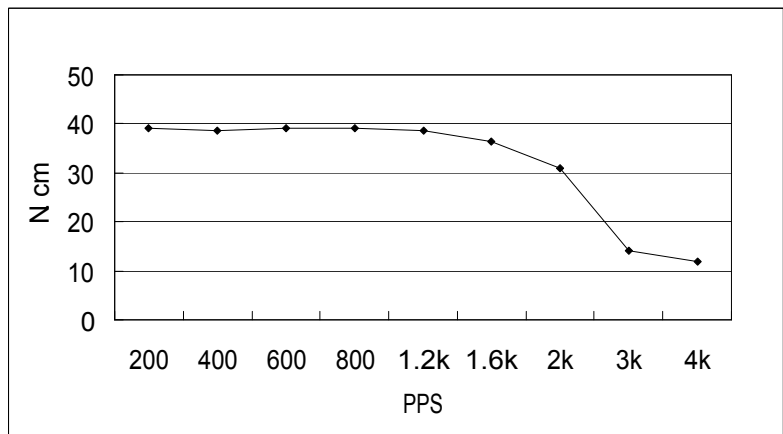
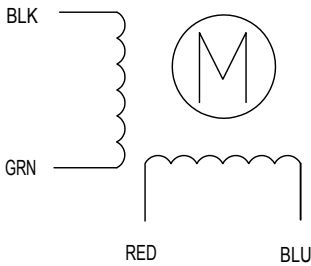
# HIGH TORQUE HYBRID STEPPING MOTOR SPECIFICATIONS

General specifications		Electrical specifications	
Step Angle (°)	1.8	Rated Voltage (V)	4.25
Temperature Rise (°C)	80 Max (rated current, 2 phase on)	Rated Current (A)	0.86
Ambient temperature (°C)	-20~+50	Resistance Per Phase ( $\pm 10\%$ )	4.94 (25°C)
Number of Phase	2	Inductance Per Phase ( $\pm 20\%$ mH)	11.45
Insulation Resistance	100M $\Omega$ , Min (500VDC)	Holding Torque (Kg.cm)	7
Insulation Class	Class B	Detent Torque (g.cm)	300
Max.radial force (N)	28 (20mm from the flange)	Rotor Inertia (g.cm <sup>2</sup> )	95
Max.axial force (N)	10	Weight (Kg)	0.48

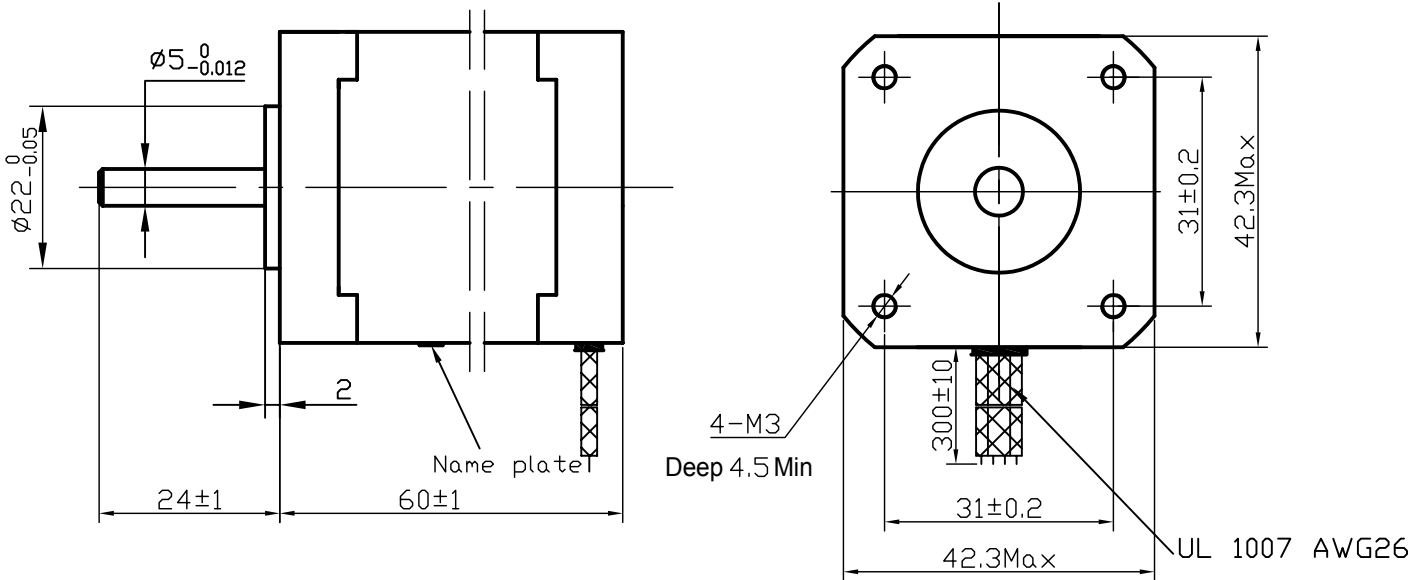
● Pull out torque curve:

VOLTAGE: 28VDC, CONSTANT CURRENT: 0.86A, HALF STEP

● Wiring Diagram:



● Dimensions:  
(unit=mm)

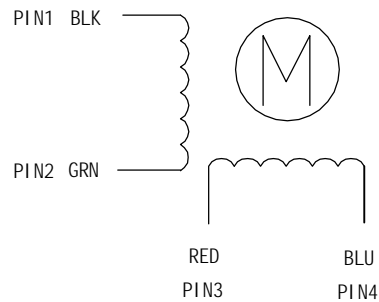


△						NOV42STH60-0864A	TECHNICAL CONDITIONS
△							
REV	REVISIONS	DESCRIPTION	BY	DATE			
DRAW							
CHECK						NOVOMOTEC GmbH	
APPROVE							

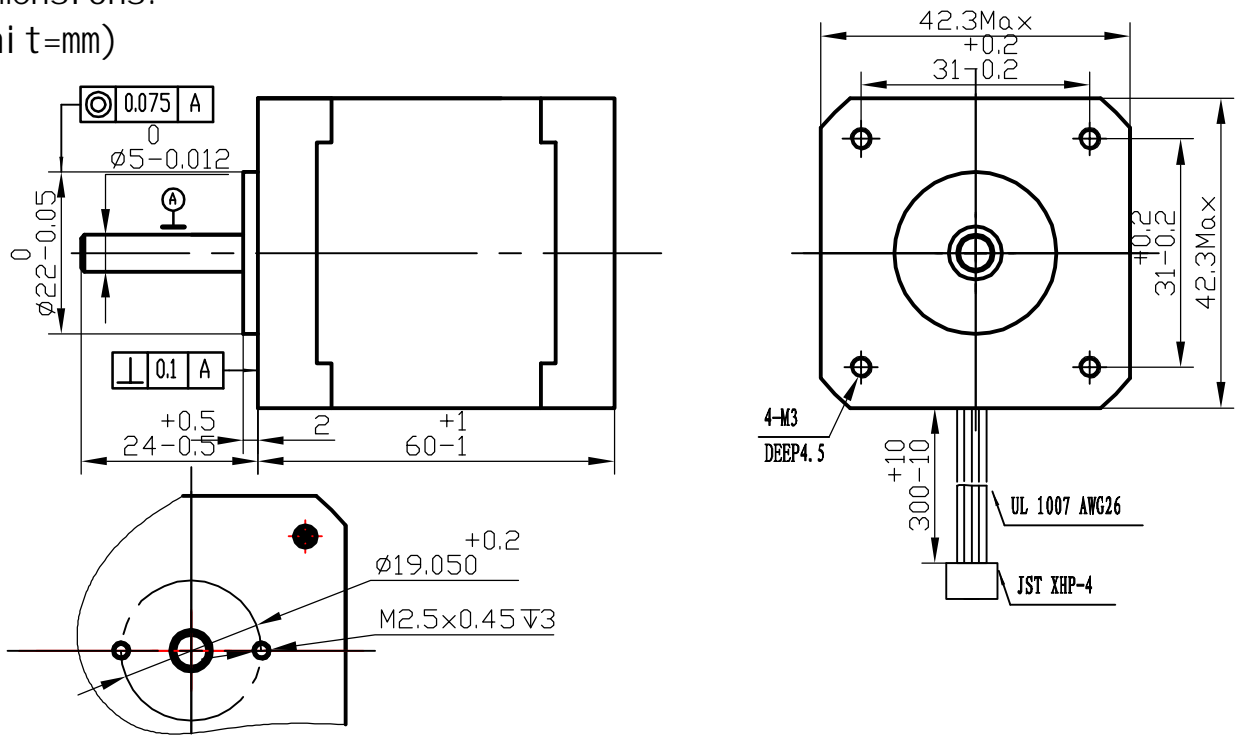
## HIGH TORQUE HYBRID STEPPING MOTOR SPECIFICATIONS

General specifications		Electrical specifications	
Step Angle (°)	1.8	Rated Voltage (V)	3.24
Temperature Rise (°C)	80 Max (rated current, 2 phase on)	Rated Current (A)	2
Ambient temperature (°C)	-20~+50	Resistance Per Phase ( $\pm 10\% \Omega$ )	1.62 (25°C)
Number of Phase	2	Inductance Per Phase ( $\pm 20\% \text{mH}$ )	8.5
Insulation Resistance	100M $\Omega$ Min (500VDC)	Holding Torque (Kg. cm)	8
Insulation Class	Class B		
Max. radial force (N)	28 (20mm from the flange)		
Max. axial force (N)	10		

● Wiring Diagram:



● Dimensions:  
(unit=mm)



					NOV42STH60-2004.A	TECHNICAL CONDITIONS
REV	REVISIONS	DESCRIPTION	BY	DATE	Novomotec	
DRAW						
CHECK						
APPROVE						