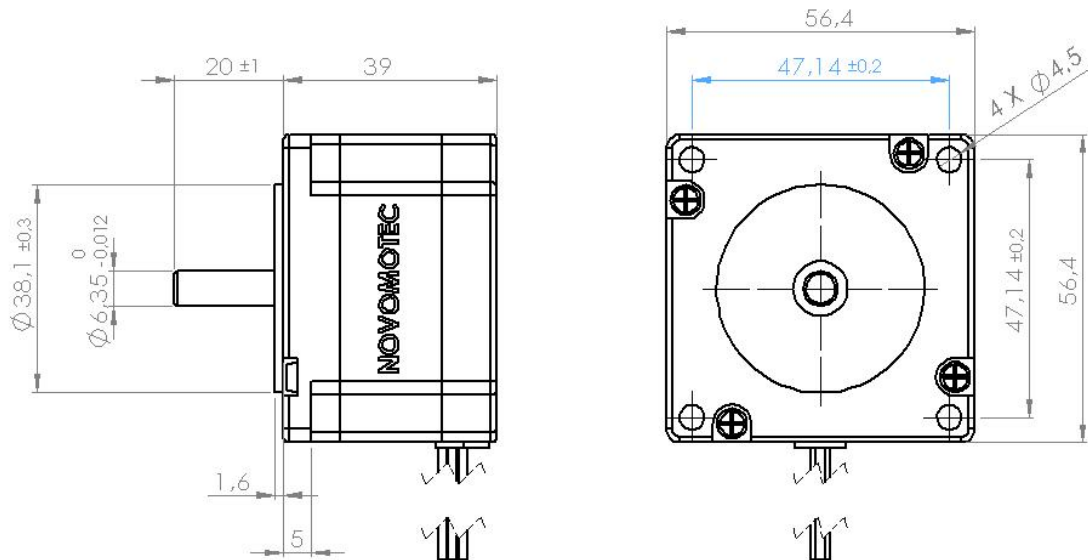


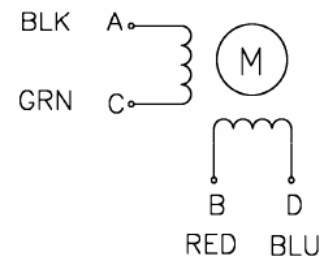


Schrittmotor NOV57STH – 0,45°



Item	Specifications
Step Angle	0,45°
Step Angle Accuracy	+/- 5% (full step, no load)
Resistance Accuracy	+/- 10%
Temperature Rise	+/- 20%
Ambient Temperature	max. 80°C (rated current, 2 phase on)
Insulation Resistance	-20°C - +50°C
Dielectric Strenght	min. 100M Ω , 500VDC
Shaft Radial Play	max. 0,02mm
Shaft Axial Play	max. 0,08mm
Max. Radial Force	75 N (20mm from the flange)
Max. Axial Force	15 N
Rotation	CW

Wiring Diagramm



Model.No		Rated Voltage	Current/Phase	Resistance /Phase	Inductance/Phase	Holding Torque	# of Leads	Weight	Lenght L
Single Shaft	Double Shaft	V	A	Ω	mH	Nm		kg	mm
39-2804XA.A	39-2804XA.A	3,92	2,8	1,4	1,43	0,4	4	0,48	39