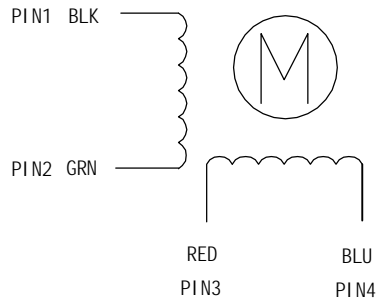


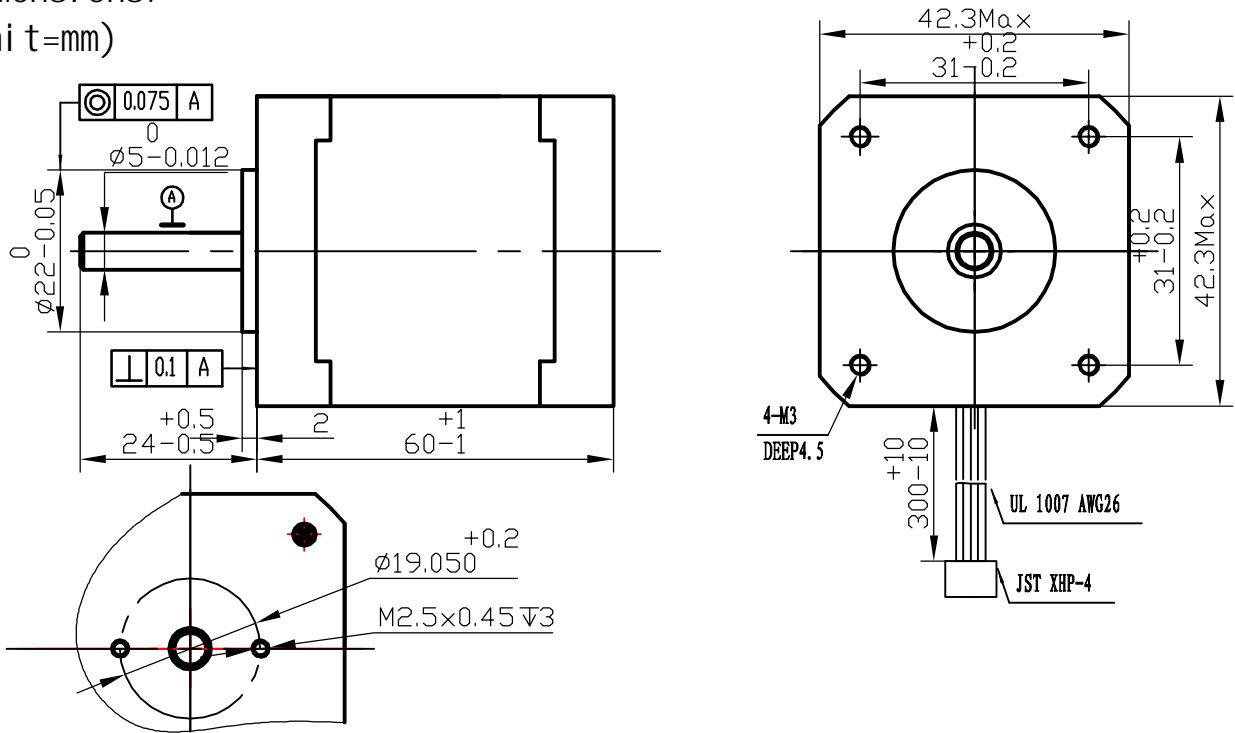
HIGH TORQUE HYBRID STEPPING MOTOR SPECIFICATIONS

General specifications		Electrical specifications	
Step Angle (°)	1.8	Rated Voltage (V)	3.24
Temperature Rise (°C)	80 Max (rated current, 2 phase on)	Rated Current (A)	2
Ambient temperature (°C)	-20~+50	Resistance Per Phase ($\pm 10\% \Omega$)	1.62 (25°C)
Number of Phase	2	Inductance Per Phase ($\pm 20\% \text{mH}$)	8.5
Insulation Resistance	100M Ω Min (500VDC)	Holding Torque (Kg. cm)	8
Insulation Class	Class B		
Max. radial force (N)	28 (20mm from the flange)		
Max. axial force (N)	10		

● Wiring Diagram:



● Dimensions:
(unit=mm)



△					NOV42STH60-2004.A	TECHNICAL CONDITIONS
△						
REV	REVISIONS	DESCRIPTION	BY	DATE	Novomotec	
DRAW						
CHECK						
APPROVE						