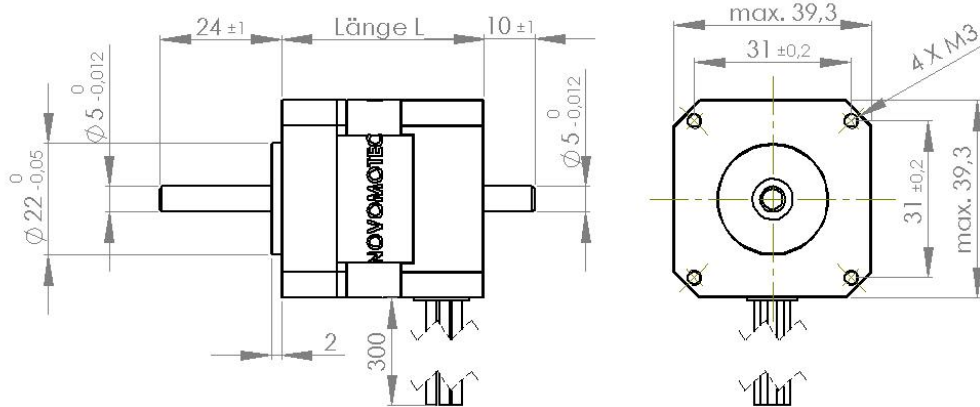
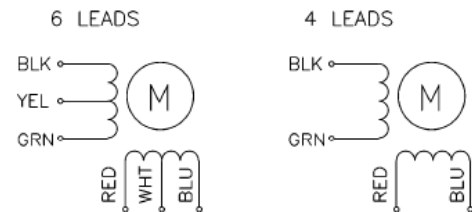


Schrittmotor NOV39ST – 1,8°



Item	Specifications
Step Angle	1,8°
Step Angle Accuracy	+/- 5% (full step, no load)
Resistance Accuracy	+/- 10%
Temperature Rise	+/- 20%
Ambient Temperature	max. 80°C (rated current, 2 phase on)
Insulation Resistance	-20°C - +50°C
Dielectric Strenght	min. 100MΩ, 500VDC
Shaft Radial Play	max. 0,02mm
Shaft Axial Play	max. 0,08mm
Max. Radial Force	28 N (20mm from the flange)
Max. Axial Force	10 N
Rotation	CW

Wiring Diagramm:



Model.No		Rated Voltage	Current/Phase	Resistance/Phase	Inductance/Phase	Holding Torque	# of Leads	Weight	Lenght
Single Shaft	Double Shaft	V	A	Ω	mH	mNm		g	mm
20-0404.A	20-0404.B	2,64	0,4	6,6	6	65	4	120	20
20-0506.A	20-0506.B	6,5	0,5	13	7,5	80	6	120	20
34-0654.A	34-0654.B	4,55	0,65	7	9,3	180	4	180	34
34-0404.A	34-0404.B	12	0,4	30	32	210	4	180	34
34-0604.A	34-0604.B	9	0,6	15	16	220	4	180	34
34-0306.A	34-0306.B	12	0,3	40	20	130	6	180	34
34-0166.A	34-0166.B	12	0,16	75	50	110	6	180	34
38-0504.A	38-0504.B	12	0,5	24	45	290	4	200	38
38-0806.A	38-0806.B	6	0,8	7,5	60	200	6	200	38
44-0304.A	44-0304.B	12	0,3	40	100	280	4	250	44

1.8° Size 39mm Hybrid Stepping Motor

- Pull out Torque Curve

