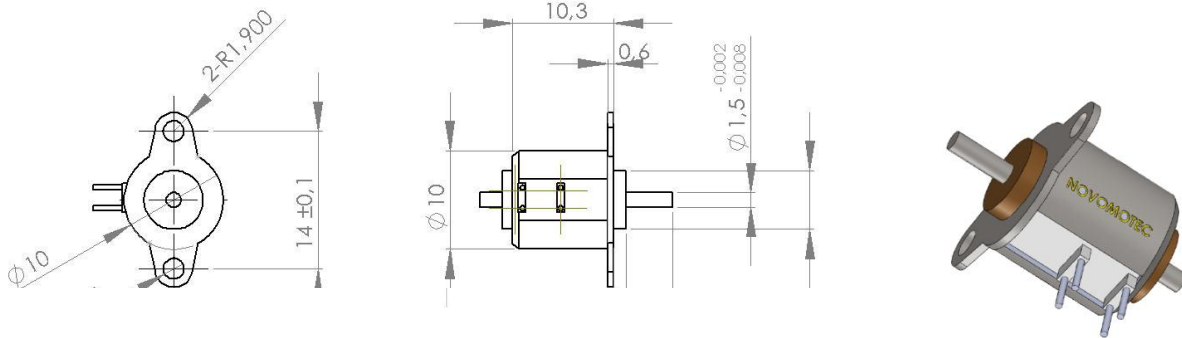
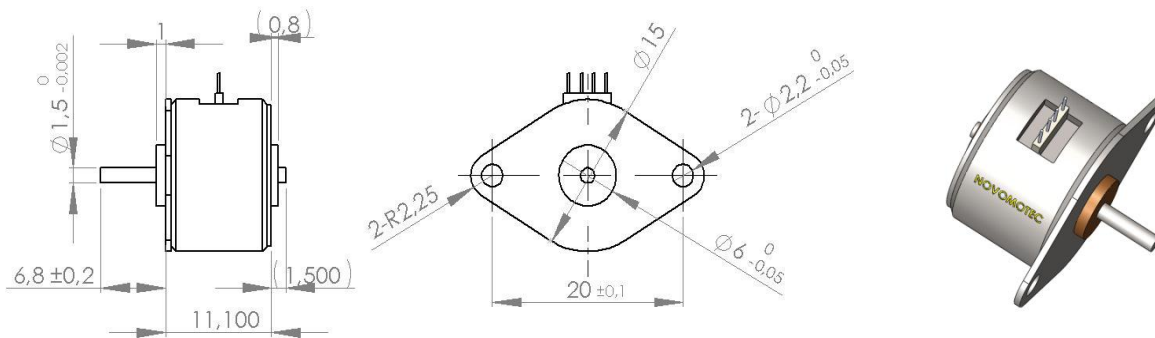


## Schrittmotor NOV 10/15 PM

### NOV 10 PM

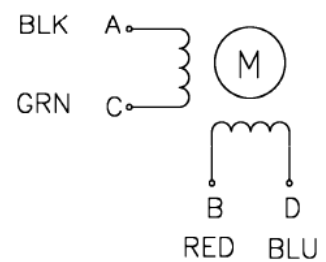


### NOV 15 PM



Item	Specifications
Step Angle	18°
Step Angle Accuracy	+/- 5% (full step, no load)
Resistance Accuracy	+/- 10%
Temperature Rise	+/- 20%
Ambient Temperature	max. -15 - 45°C (rated current, 2 phase on)
Insulation Resistance	-20°C - +50°C

### Wiring Diagramm:



Model.No		Rated Voltage	Current/Phase	Resistance /Phase	Inductance/Phase	Holding Torque	# of Leads	Weight	Length L	Shaft Length S
Single Shaft	Double Shaft	V	A	Ω	mH	mNm		g	mm	mm
NOV 10 PM		5	0,3	15	k.a.	0,4	4	5,5	11	6
NOV 15 PM		3-5	0,3	10	k.a.	1,5	4	9,5	11	6,8